

Light Curtain

for use on

Fast-Acting, Sectional and Coiling Doors

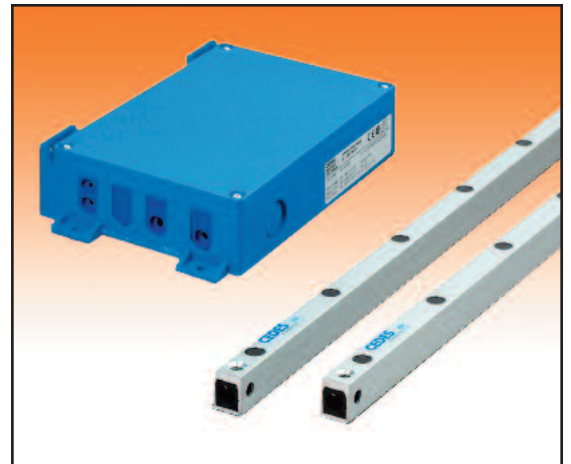
Applications

- **Fast-Acting Doors**
- **Sectional Doors**
- **Coiling Doors**

An invisible curtain of protection

Using a series of thru beam photo eyes attached near the door track or guides, this light curtain is designed to provide a dense barrier of light that, when interrupted, signals the door to reverse. With the ability to span up to 32 feet wide and 6 feet high, it is suitable for use on the majority of commercial and industrial door applications.

For complete opening coverage, this product may be used in conjunction with a contact or non-contact sensing edge installed on the door.



FUNCTIONAL BENEFITS:

- Criss-Cross beams
- Waterproof housing (IP67) and very high light reserve
- Electrical synchronization for increased light and strobe immunity
- Very small cross section allows for mounting in tight quarters
- Front and side mounting holes for easy installation

SPECIFICATION:

LIGHT STICKS

OPTICAL:

Max. Operating Range: 10m (32')
 No. of Elements: 17
 Max. Ambient Light: >100,000 Lux
 Aperture angle at 3m: Tx: $\pm 10^\circ$ and RX: $\pm 20^\circ$

ELECTRICAL:

Status LED Rx: Object Detected: RED
 No Object Detected: GREEN
 Power LED Tx: Power OK : GREEN

MECHANICAL:

Cross Section: 12mm x 16mm (.47" x .63")
 Max. Protection Height: 1,800mm (70.87")
 Housing Material: Natural Anodized Aluminum
 Enclosure Rating: IP67
 Temperature Range: - 40° C... + 60° C
 (- 40° F... + 140° F)

POWER SUPPLY

ELECTRICAL:

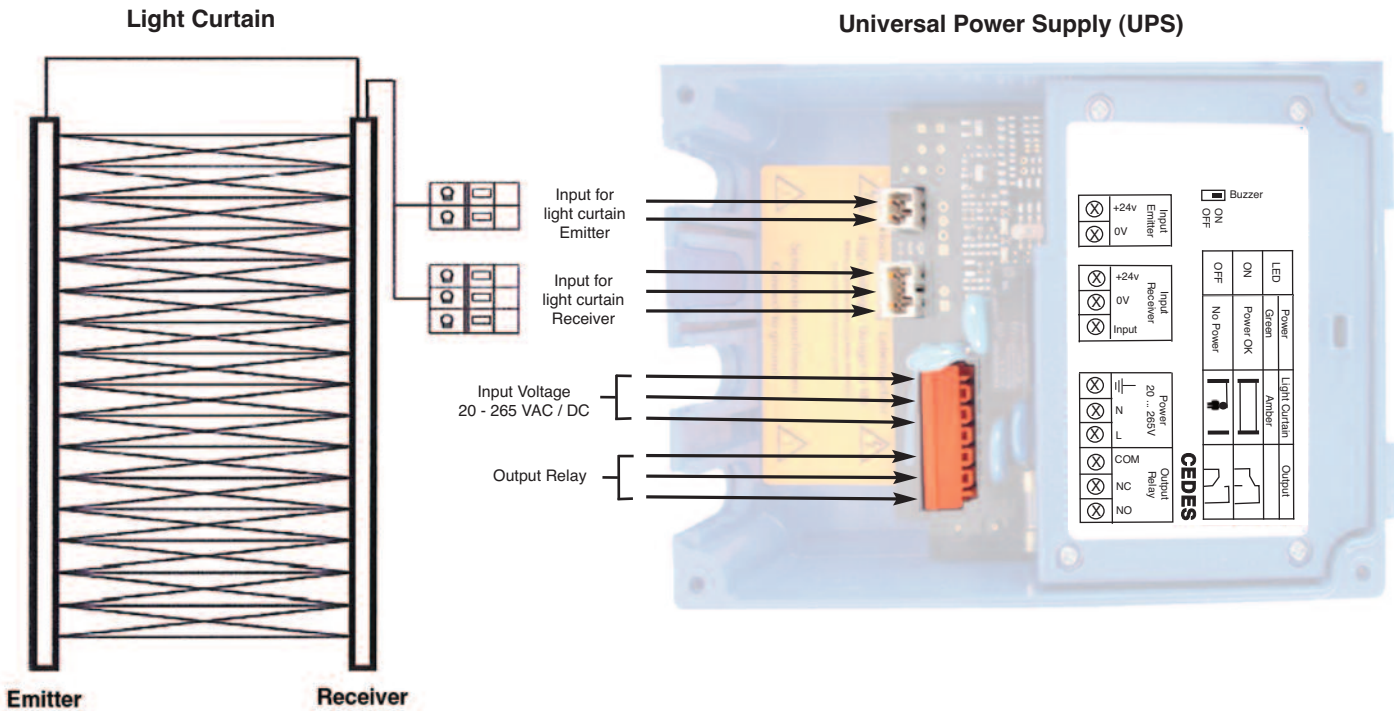
Supply Voltage: 20...265 VAC/DC
 Current Consumption: < 200 mA @ 24 VDC
 < 60 mA @ 240 VAC
 DC Output Voltage: 24 V $\pm 10\%$
 Output Rated Current: 200 mA
 Relay Output: 250 VAC / 8 A
 125 VDC / 0.5 A
 30 VDC / 8 A
 2 LED Indicators: Green (Power) Orange (Output Relay)

MECHANICAL:

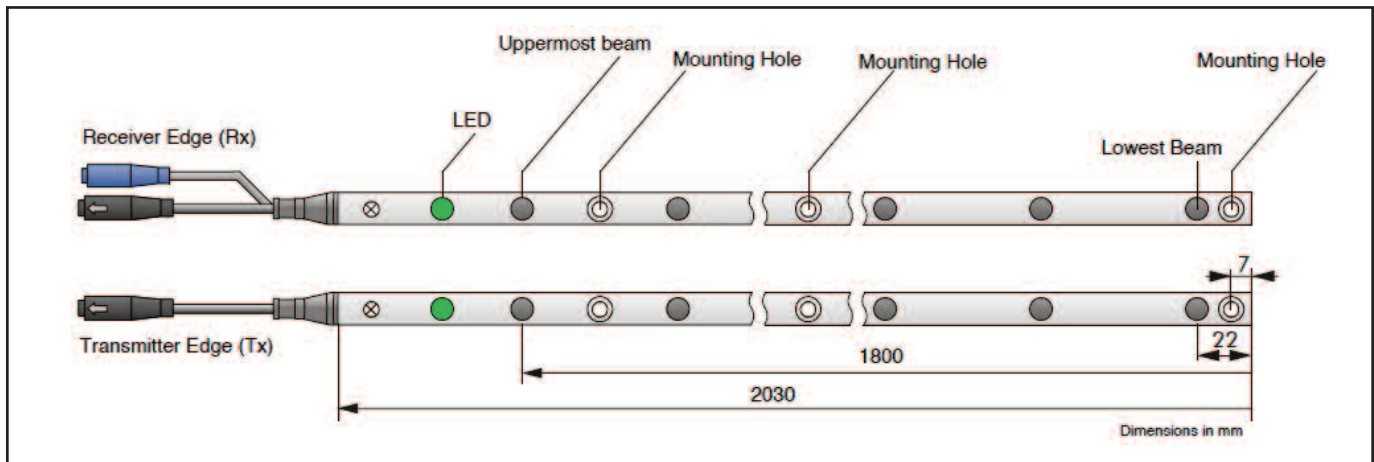
Dimensions: 200 x 125 x 465mm (7.87" x 4.92" x 18.31")
 Housing Material: ABS
 Enclosure Rating: IP54
 Temperature Range: - 20° C... + 55° C
 (- 5° F... + 132° F)

Powered by **CEDES**

Electrical Connection



Light Sticks



GridScan/Mini17

Part Number	Model Designation	Description
	Light Curtain: kit 2030 mm (6' 8")	Includes: Transmitter unit, Receiver unit, 20-265 VAC/DC Universal Power Supply (UPS) with IP54 Enclosure, 3 meter (10') and 10 meter (32') Synchronization Cables, 5 meter (16') Connection Cable.
	Light Curtain: Optional Synchronization Cable Extension	3 meter (10') Synchronization Cable available



GridScan/Mini17_Spec_20141208

P.O. Box 159 • West Grove, PA 19390 • (610)869-4422 • Fax: (610)869-4423 • 800-220-3343
 6809 South Harl Avenue, Suite A, Tempe, AZ 85283 • (480)755-3565 • Fax (480)755-3558 • 800-887-3343
www.milleredge.com