

# ParkDoc™

## PD-16



## FIND YOUR PRESCRIBED PARKING SPOT

ParkDoc is a residential parking curb used on interior garage flooring to promote safe parking. Drivers can park their vehicles in the optimal position in their garage space with ease, avoiding the risk of damage to garage doors and vehicles as well as impact with items and walls in close quarters. When vehicle tires make contact with their ParkDoc, drivers know they have reached their prescribed parking spot. Note: This product is not intended for use with large commercial vehicles or forklifts.

In addition to increased parking safety and precision, ParkDoc offers B2B customization options, creating marketing and brand awareness options for your business.



### APPLICATIONS

- Indoor residential parking aid for use with:
  - Cars
  - SUVs
  - Pickup trucks

### FEATURES

- Avoid risk of damage to garage door systems, vehicles, belongings, walls surrounding vehicles
- A low-cost sales and marketing tool:
  - Add-on/aftermarket sale potential
  - Marketing benefits:
    - **Brand awareness:** Option to co-brand with company name and contact info
    - **Promotional gift:** Thank you gift for new business
    - **Reminder:** Send to customers to remind them it's time to make an appointment
    - **Retail sales:** Consumer-friendly packaging allows you to sell ParkDoc to walk-in customers
- Easy to install
- 1-year warranty

610-869-4422  
www.milleredge.com





# ParkDoc™

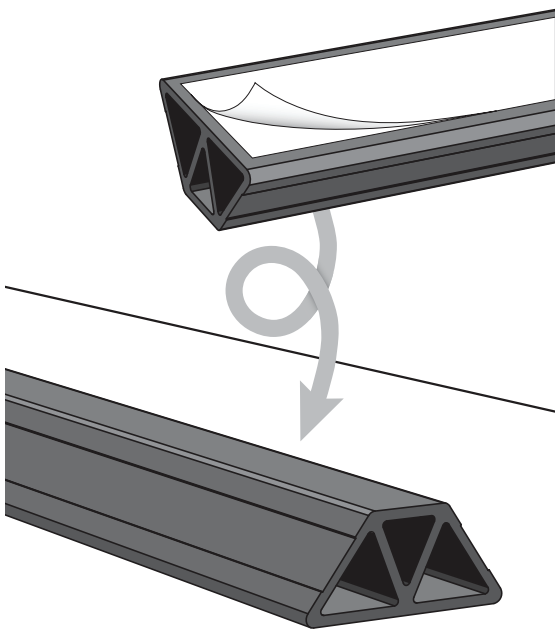
## PD-16

### GENERAL SPECIFICATIONS

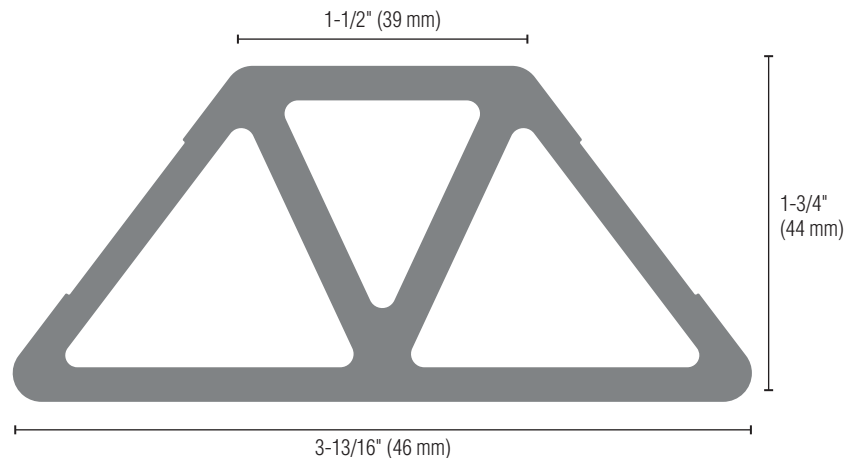
#### PHYSICAL

Length	16 in. (40.64 cm)
Weight	1.75 lbs. (28 oz.)
Material	Rigid PVC
Mounting	VHB double-faced foam tape

### INSTALLATION



### DIMENSIONS



### OPTIONS

- PD-16-C: ParkDoc—Custom (pack of 8)  
Customize ParkDoc with your company name and contact info.  
Contact your Miller Edge Sales Representative for details.
- PD-16-M: ParkDoc (pack of 8)

Your Company Name Here



800-555-1212

ParkDoc™ by MillerEdge®

PD-16-C: Label (13.5" x 0.8")



**ParkDoc™** by **MillerEdge®**



PD-16-M: Label (13.5" x 0.8")



Contact Miller Edge to ensure compatibility.

© Miller Edge, Inc. All rights reserved  
PD\_20230320